

# OCULUS

## Hi-Spec Rugged Pan/Tilt Camera

The Oculus is a professional vandal resistant, high speed continuous rotation PTZ camera. The housing has been cast in aluminium which is then hard anodised and powder coated allowing the unit to be installed in harsh and challenging environments. The toughened glass viewing window is optically correct and distortion free providing brighter, clearer images even at full telephoto zoom ratio. With wiper as standard the glass is kept free from build-up of dust or debris and allows the unit to perform in all weather conditions.

Utilising Optical Incremental Encoders, Oculus can accurately pin point and maintain its position, automatically correcting itself should an external force cause the head to move.

Oculus is available with a range of high resolution day/night zoom camera module options from Sony and Sanyo, allowing maximum flexibility of choice for the user.

The unique design allows the Oculus to be mounted upright, inverted or cantered offering complete 360 degree coverage with no blind spots. A range of mounting accessories is available with industry standard 4" PCD mounting platform.

### Key features

- Vandal Resistant
- Optical Encoders
- 18x and 36x optical zoom options
- Flexible Mounting Options
- Flat toughened Glass Window
- Day/Night Camera
- Protected to IP67
- Built in wiper
- Presets and Tours
- Privacy Masking
- Multiple Protocols



## Sony Module

Image Sensor	1/4" EXview CCD
Signal System	PAL
Number of total pixels	~440000 pixels
S/N ratio	More than 50dB
Electronic shutter	1/1 to 1/10000s, 22 steps
White balance	Auto, ATW, Indoor, Outdoor, One-push, Manual
Gain	Auto, Manual, (-3 to 28dB, 2dB steps)
AE control	Auto, Manual, Priority Mode, Bright, EV compensation, Back-light compensation
EV compensation	-10.5 to 10.5 dB (1.5dB steps)
Back-light compensation	On / Off
Privacy zone masking	On / Off (24 positions)
Focusing system	Auto (Sensitivity: normal, low), One-push AF, Manual, Infinity, Interval AF, Zoom trigger AF
Picture effects	E-Flip, Nega Art, Black & White, Mirror Image
Camera operation switch	Zoom tele, Zoom wide
Video Output	VBS: 1.0 Vp-p (sync negative), Y/C
Camera control interface	VISCA (TTL signal level)
Power consumption	6 to 12V DC / 1.6W (motors inactive), 2.5W (motors active)

## Mechanical

Capable of Continuous pan rotation
Capable of 290° tilt rotation
Capable of normal and inverted mounting
Capable of 180°/second pan speed (excluding ramping)
Capable of 180°/second tilt speed (excluding ramping)
Fitted with sealed for life bearing
Long life toothed polypropylene belt drive, for minimum backlash-pulleys bonded to keypad shafts
Rated to IP67
4" pcd mount
IP67 Multi way connector to support electrical connection requirements, with 10m composite lead

## Electronic

Maintaining preset accuracy with optical encoders with a resolution of 0.01°
Capable of retaining position without drift
Recovering position if forced away by a "non-control" intervention
180°pan spin on reaching -90°
Storage of "wash" preset
Storage of 32 preset PTZ positions
Storage of 16 preset tours
Storage of 4x 1 minute mimic tours
8+8 steps of video gain and lift
Up to 24x privacy zones
Access to camera configurations via on screen menus
Stepper motor drive
Multiple control protocols
Robust RS485 half duplex data comms, with absolute positioning output
Coaxial Telemetry
Support for 8 x 8 alarm inputs on RS485 bus, external to PTZ unit. (With alarm interface card)
In built real-time clock to support extensively configurable alarm events and actions
Switch to IR mode via external input (via alarm card)
Heavy duty slip rings for power, data, video, switching for washer, and bonded earth for lightning protection
Power requirements 20-36Vdc or 14-26Vac. 1.5W peak . included PSU requires 230V AC

## 18x zoom

Lens	18x optical zoom, f=4.1mm (wide) to 73.8mm (tele), F1.4 to F3.0
Digital Zoom	12x (216x with optical zoom)
Angle of view (H)	48.0° (wide end) to 2.8° (tele end)
Sync system	Internal / External (V-lock)
Minimum illumination	0.7lx (typical) (50IRE)

## 36x zoom

Lens	36x optical zoom, f=3.4mm (wide) to 122.4mm (tele), F1.6 to F4.5
Digital Zoom	12x (432x with optical zoom)
Angle of view (H)	57.8° (wide end) to 1500 mm (tele end)
Sync system	Internal / External (V-lock)
Minimum illumination	1/60 s mode: 1.4lx (typical) (F1.6, 50IRE)

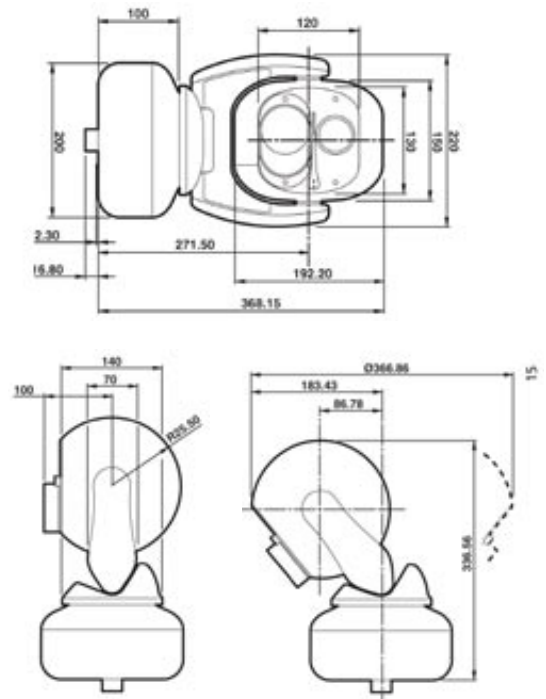
## Protocols

Vendor	Protocol	Vendor	Protocol
360-Vision	C-Dome	Pelco P	P9600
BBV	Serial485	Philips	2400
CBC	OCP485	Philips	9600
DeView	VTC485	Samsung	SCC2000
Forward Vision	FV Mic1-300	Samsung	SCC3000
Ikegami	ILAN	Sensormatic	-
Ikegami	RS485	Ultrak / Honeywell	Diamond
Kalatel	DP	VCL	-
Pelco D	D2400	Baxall DC	FSK-Standard
Pelco P	P4800		

## Ordering Information

RC-50F18 B,G,W (Black, Grey and White)	18x 1/4"CCD Day/Night PTZ Camera
RC-50D36 B,G,W (Black, Grey and White)	36x 1/4"CCD Day/Night PTZ Camera

## Dimensions



**UK Office**  
SILENT SENTINEL  
Myrtlebank  
Cauthery Lane  
Great Amwell  
Herts  
SG12 9SN

Tel +44 (0) 1920 870868  
Fax +44 (0) 1920 872981

**German Office**  
SILENT SENTINEL  
Länglingsweg 6a  
D-47447  
Moers  
Germany

Tel +49 2841 887 510  
Fax +49 2841 885 720

Email [info@silentsentinel.com](mailto:info@silentsentinel.com)  
URL [www.silentsentinel.com](http://www.silentsentinel.com)

**Silent Sentinel**  
Professional Imaging Products